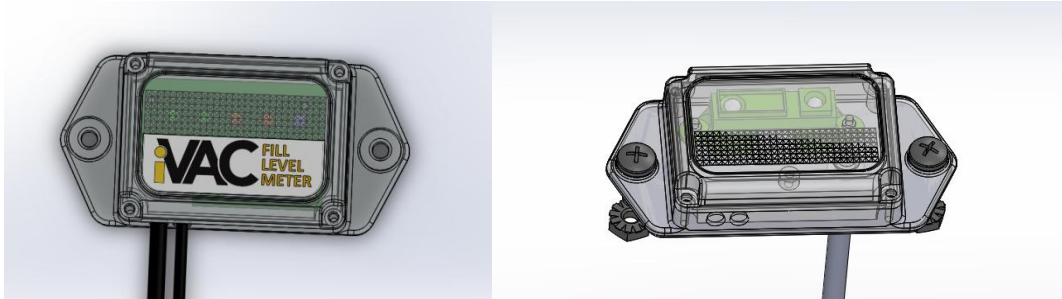


iVAC Fill Level Meter

“Maintain Accurate Dust Bin Levels”



LED Module

Sensor Module

The iVAC Fill Level Meter consists of two main components, the LED Display module and an IR Sensor module, connected via dust and water proof cables. The Display module is powered with a standard USB wall charger and has a series of five LED's indicating varying fill levels. The first two LED's are green, the next two are orange and the final “over full” level is a flashing blue / red indicating the bin is at or past capacity and needs to be emptied immediately.

The sensor module is fixed to the underside of the lid of your dust bin perpendicular to the deepest area of your bin, and away from the central dust vortex, Fig “A”. The Sensor Module is backed with a foam dust gasket complete with 10-32 studs and lock nuts. A drawing is provided showing the hole sizes and location for drilling prior to installation; Figure “B”. Once the holes are drilled, feed the cable through the center hole from the **inside** and fasten the sensor module to the lid with the lock nuts provided. Compress the foam gasket lightly, sealing the openings. **Do not overtighten.**

The LED module should be mounted in a visible location in your shop giving you warnings as your dust bin fills and the different LED's are illuminated. Connect the cables together as shown in Figure “C” lining up the arrows as you push the cable together. Once connected tighten the cable nut to secure the fittings. Plug the USB outlet into a receptacle and you are setup and ready to go. Before mounting to your dust bin, a good practice is to connect the cables, plug the unit into an outlet, and run your hand toward and away from the Sensor Module to get an indication of the different LED levels. See the chart below for approximate LED level indications.

When the second Orange LED illuminates “Empty Your Bin” – Blue / Red flasher is “Over Full”

LED Indicator level:

First Green: 80 cm/31" or more

Second Green: 40 cm/16"

First Orange: 22.5 cm/9"

Second Orange: 15.5 cm/6" (Time To Empty)

Blinking Red/Blue: 10.5 cm/4" (Over Full)

Figure "A"

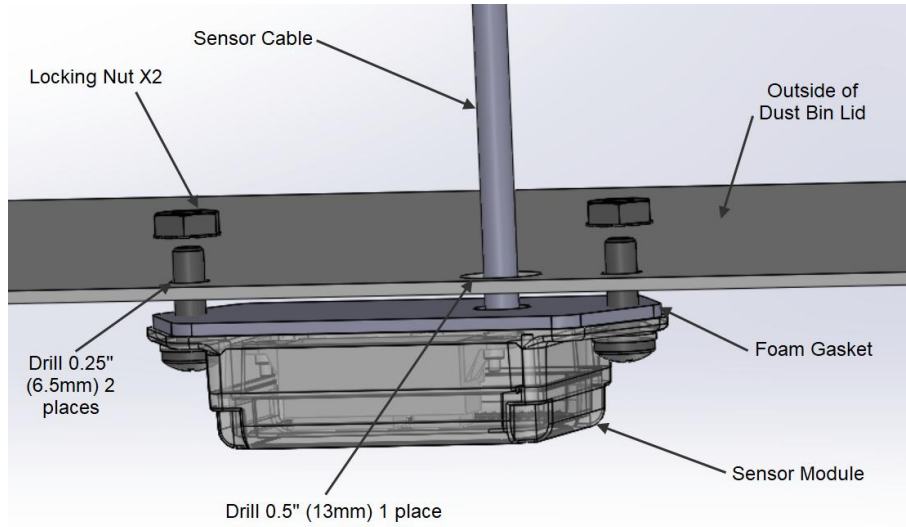


Figure "B"

Dust Bin cover Drilling Dimensions

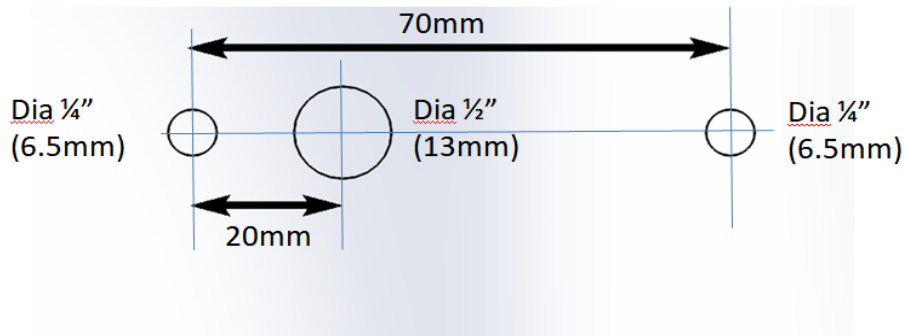


Figure "C"

